

AURORALIGHT

PROJECT: _____

SKU #: _____

TYPE: _____

TAOS

UDW110144

The Auroralight Sirena is an amphibious IP68, directional LED luminaire. At its core is a precision machined Cree® powered LED engine. An innovative CAM-LOC™ Stand allows quick and secure, tool-less adjustment.

- Storm Drain™ Lens Drainage System
- Cree LED™ XLAMP® High Density (XHP)
- Thermally Integrated® w/ Copper Core Technology®
- Ideal for water features and wet areas

CONFIGURATOR:

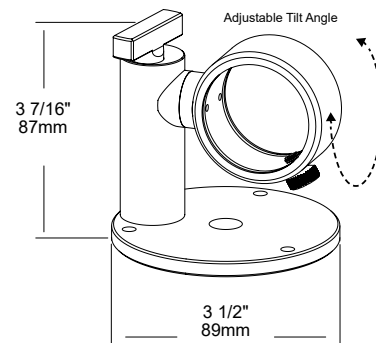
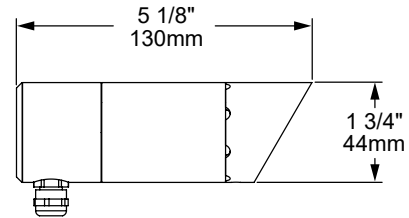
UDW110144	LED	FINISH	
	() = Most common configuration	(2704) 2700K 4W	(NAT) Natural Brass
	(2706) 2700K 6W	(BLP) Bronze Living Patina	
	(3004) 3000K 4W	(BLPX) Extra Dark BLP	
	(3006) 3000K 6W	(NI) Nickel PVD	



AVAILABLE FINISHES:



FIXTURE DIMENSIONS	L5-1/8" x D1-3/4"
LIGHT SOURCE	Included LM11 LED Module
COLOR TEMPERATURES	2700K, 3000K
WATTAGES	4W, 6W
CRI (RA)	80 CRI
VOLTAGE	12V
DELIVERED LUMENS	412lm (3000K)
DIMMABLE	Yes, Dim to <10% via Transformer
DRIVER	Yes, 12V Integral Constant Current
TRANSFORMER	No, 12V AC/DC Transformer Required
MOUNT	Included CAM-LOC™ Stand
ACCESSORIES	Yes, Not Included
OPTICS	Yes, Included 15°, 25°, 40° & 60°
FINISH	Included Natural Brass
MATERIAL	Brass
WIRE LENGTH	24'
LOCATION	Interior & Exterior Wet
CERTIFICATIONS	UL, IP66, IP67, IP68



*For complete warranty terms, please visit: www.auroralight.com/warranty/

P. 760.931.2910

O. 2742 Loker Ave. W Carlsbad CA 92010

W. www.auroralight.com

MADE IN USA
WITH DOMESTIC & IMPORTED MATERIALS



AURORALIGHT

PROJECT: _____

SKU #: _____

TYPE: _____

ADD-ONS

ACCESSORIES

H001	Hex Baffle
LS001	Linear Spread Lens
F001	Frosted Lens
GS002	90° Glare Shield

ACCESSORIES



P. 760.931.2910

O. 2742 Loker Ave. W Carlsbad CA 92010

W. www.auroralight.com

MADE IN USA
WITH DOMESTIC & IMPORTED MATERIALS

